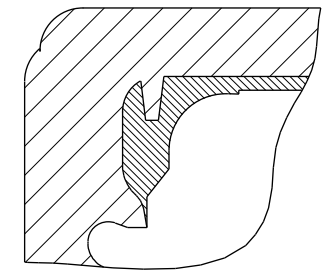
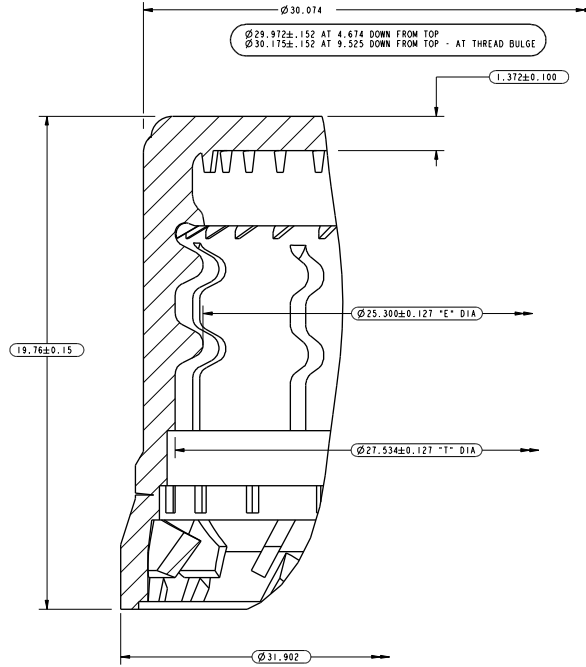
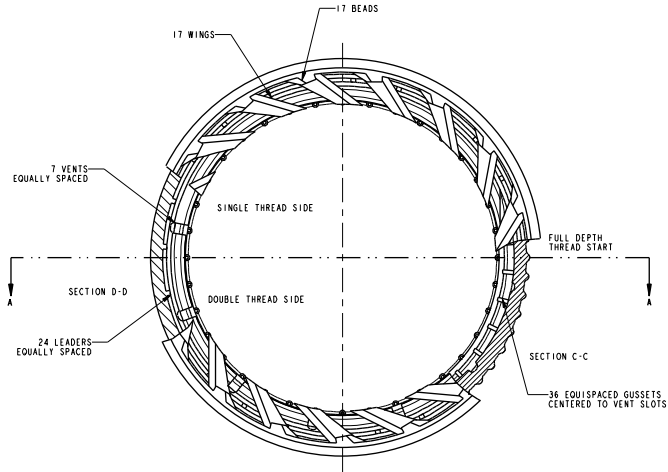
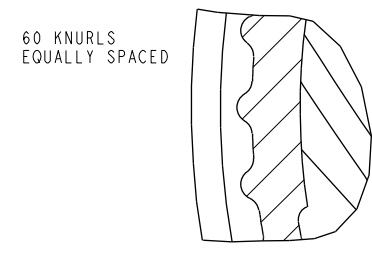


2:1

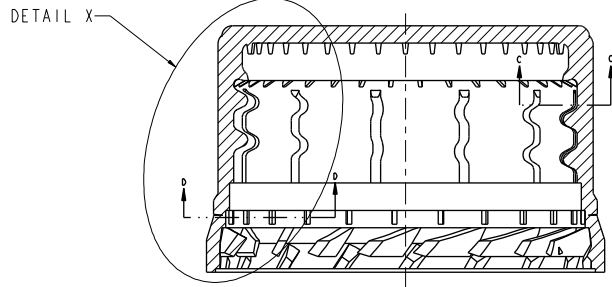


LINER DETAIL
SECTION A-A
SCALE 20:1



60 KNURLS
EQUALLY SPACED

KNURL DETAIL
SECTION B-B
SCALE 20:1



SECTION A-A

DETAIL X
SCALE: 10:1

1. THREAD INFORMATION:
- 8 THREADS PER INCH, HELIX 2°12'
2. CLOSURE TO FUNCTION ON FOLLOWING FINISHES:
MCA-1, MCA-2, MCA-3

| | | | | |
|---|------------|--------------------------------------|------------------|----------------|
| GENERAL TOLERANCES | | CLOSURE SYSTEMS INTERNATIONAL | | |
| X .XXXX | : ±X .XXXX | | | |
| X .XXX | : ±0 .254 | | | |
| X .XX | : ±X .XX | | | |
| X .X | : ±X .X | | | |
| X | : ±X | | | |
| ALL ANGLES 45° | | | | |
| BREAK ALL SHARP EDGES 0.254 | | | | |
| ALL SURFACES FINISHED TO | | | | |
| MATERIAL | DESIGNER | DATE | DATE | |
| POLYPROPYLENE | SCHROTER | 5:1 | 09/20/99 | |
| | | SHEET NUMBER | PART NUMBER | CUSTOMER NO. |
| | | 1 OF 1 | 220544 | D |
| | | REV | DESCRIPTION | DATE DELIVERED |
| | | D | REDRABB IN PRO/E | 12/15/98 |
| | | A | RELEASE FOR MFG. | 08/10/2000 |
| <small>THIS DRAWING AND ALL INFORMATION CONTAINED HEREIN ARE CONFIDENTIAL AND THE PROPERTY OF FALCON CLOSURE SYSTEMS INTERNATIONAL, INC. AND SHALL NOT BE COPIED OR REPRODUCED OR USED IN WHOLE OR PART IN ANY MANNER WITHOUT EXPRESS WRITTEN PERMISSION FROM FALCON CLOSURE SYSTEMS INTERNATIONAL, INC. 1055 ELMORE STREET, CHARLESTONVILLE, INDIANA 47303, USA.</small> | | | | |